

POWER FACTOR CONTROLLER SUPER PFR



This manual is intended as a rapid guide to the use and operation of the **SUPER PFR controller**.



Any manipulation or use of the equipment different from that specified by the manufacturer may compromise user safety. The apparatus must be disconnected from the power supply before carrying out any maintenance operation. In the event of failure in the operation or the protections, the unit must be left out of service and its reconnection must be prevented until the problem has been corrected.

1.- Principal functions

- Cos φ controller → Capacitor connection (6 or 12 steps)
- Network analyzer → Measurement of electrical parameters
- Alarm manager → Display and automatic solution

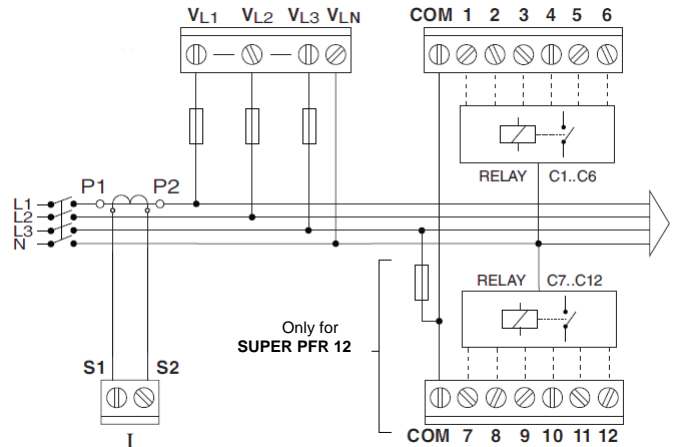
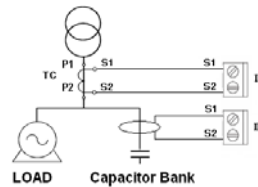
2.- Connections

A current transformer must be installed for the start-up ($I_n / 5$ A) depending on the total current of the load.

The regulator power supply voltage will be two-phase, preferably L1 for U_{L1} and L2 for U_{L2} , and the current will preferably be taken from L1. It must be supplied by means of an automatic switch. See cable section and protections in the table of technical features.

The current transformer must be placed in such a way that it measures the total current of the loads plus the capacitors.

The transformer for the leakage current must be placed so that it measures the current in the capacitor bank and must include lines L1, L2, L3 and N.



The unit has a switched relay exclusively for the alarm outlet.



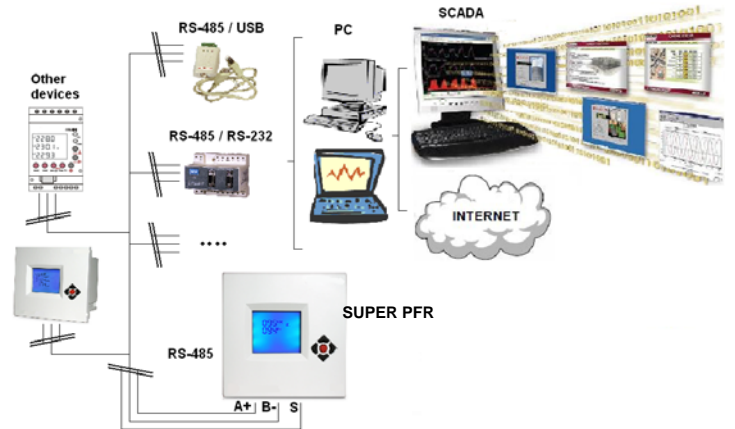
2.1.- Communications

The **SUPER PFR** regulators can be connected to a computer or another unit by means of the standard RS-485 bus included. This system is able to focus data on a single registry point (Power Studio® System).

In a network of equipment, the **SUPER PFR** communicates by question-answer (slave).

The **SUPER PFR** communicates with the **MODBUS RTU®** protocol, which enables it to access the electrical parameter and the main variables and configurations. Contact the manufacturer for the table of addresses.

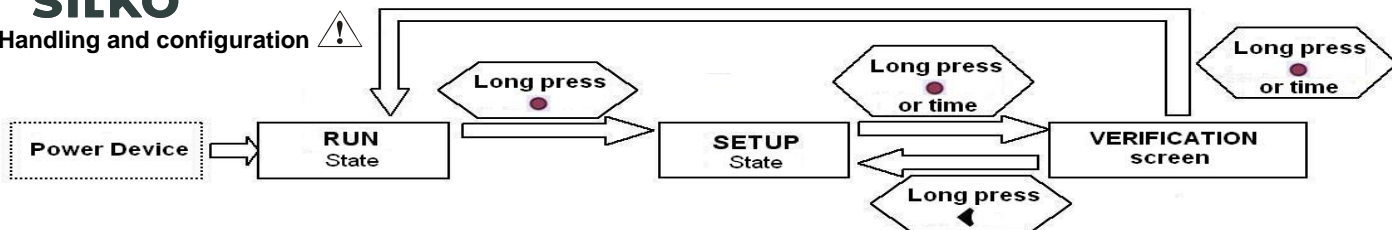
See section 4.3. to change the communications configuration.



3.- Technical features

Main power supply and voltage measurement.	480, 400, 230, or 110 Vac. +15 % -10 %; 50 / 60 Hz, (see label) Power supply: U_{L1} - U_{L2} . Measurement U_{L1} , U_{L2} , U_{L3} y U_N
Power supply cables	Section 1.5 mm ² , gl 0.5 to 2 A protection fuse
Current measurement circuit	Current transformer, $I_n / 5$ A AC., preferably on phase L1. Min. cable section. 2.5 mm ²
Leakage current measurement circuit	Nominal secondary transf. current: $I_{sec} = 2$ mA AC. Transformer with ratio of 500: $I_s = 1$ A AC. +20%
Current measurement margin	Current I : 0.05 to 5 A AC. (maximum overload +20 %) Leakage current I_s : 0.01...1 A AC. (maximum overload +20 %)
Measurement accuracy	Voltage and current: 1 %; cos φ 2 % ± 1 digit
Temperature measurement	Approx. external temperature. Range: 0...80 °C. Accuracy: ± 3 °C
Consumption	8.2 VA (empty) ; 9.3 VA (6 relays); 11 VA (12 relays)
Output	Relays. Contacts for U_{max} : 250 Vac., 4 A AC., AC1.
Cabling and output relay protection	Cable section 1.5 mm ² , protection with circuit breaker (C curve) of 6 A or gl 6 A fuse
Alarm relay	Switched relay for use exclusively for the alarms
Standards	IEC 62053-23 (2003-01) Ed. 1.0 IEC 61326-1, EN61010-1 UL 508

Safety /Insulation	Category III, Class II , according to EN 61010-1
Protection degree	IP40 (equipment mounted, cabinet front panel) IP30 (equipment not mounted) according to EN-60529
Admissible environmental conditions	Temperature: -20...+60 °C; Relative humidity: max. 95 % (without condensation). Max. altitude: 2000 m
Control system	FCP (a programme that minimises the number of operations)
Communications	Interface: RS-485. Protocol MODBUS. Speed: 9600, 19200, 38400
The SUPER PFR regulator measures and operates in 4 quadrants according to the attached diagram.	



4.1.- RUN

When it is in RUN, the equipment compensates the reactive energy by connecting the necessary capacitors. In this mode, the display can show different parameters of the installation, depending on the screen.

By pressing the ▲ and ▼ arrows, we will move through the different measurement screens. By pressing the ▶ arrow, the maximum values are shown, and by pressing the ◀ arrow, the minimum values are shown of the variables shown on each screen. If you want to see the instantaneous values again, press the ● key or wait 5 seconds for this to happen automatically.

In the maximum or minimum screen, these can be reset by holding down ▶ for the maximums and ◀ for the minimums. If you hold down ▲ and ▼ in the max or min screen, they will all be reset.

Measuring screens	Variables shown	Units.	Max.	Min.
Default screen	Cosine and type of cosine U III I	V A	X X X	X X X
Powers III	Active power III Reactive power III Apparent power III	kW kvar kVA	X X X	X X X
Phase-neutral voltages	U1, U2, U3 Frequency	V Hz	X X	X X
Phase-phase voltages	U12, U23, U31 Frequency	V Hz	X X	X X
Currents	I IΔ Temperature (**)	A mA °C	X X X	X X X
Cos/PF	Cosine and type of cosine Power factor		X X	X X
THD's	THDU THDI	% %	X X	
Voltage harmonics	U odd harmonics from 3 to 13	%	X	
Current harmonics	I odd harmonics from 3 to 13	%	X	
Number of connections (*)	No. of connection of each capacitor	X10		

(*) They are reset by pressing and holding down the ▶ key.

(**) An approximation of the external temperature of the equipment by internal sensor.

4.2.- Error and alarm codes

In the measuring screens there may be different error or alarm codes making the screen backlight flash. The meaning of each of the codes is summed up in the following table:

ERROR message	Description
E01 △	No current . Load current below minimum or current transformer not connected. It appears if the secondary current < 50 mA.
E02 △	On compensation. The unit measures capacitive power and all steps are disconnected.
E03 △	Sub-compensation. The unit measures inductive power and all steps are disconnected.
E04 △	Over-current. The measured current exceeds the nominal current by +20 %. The nominal current is considered to be that of the primary of the TC.
E05 △	Overvoltage The measured voltage exceeds the nominal voltage by +15 %.
E06 △	Low voltage. The voltage in some of the phases is under 90% of the nominal.
E07 △	THD alarm U. The THDU levels are higher than those configured in the THDU alarm.
E08 △	THD alarm I. The THDI levels are higher than those configured in the THDI alarm.
E09 △	Leakage Alarm. The leakage current is higher than that configured in the leakage current alarm.
E10 △	Cosine Alarm φ. The φ cosine is out of the range configured in the Cosine alarm φ.
E11 △	Temperature Alarm. The measured temperature is higher than that configured in the Temperature alarm.
E12 △	Repeated Leakage Alarm. Leakage has been detected in the system, but the cause has not been found.
E13 △	Leakage Alarm in Capacitors. Leakage has been detected that is caused by one of the capacitors and this capacitor is disabled. The disabled capacitors are shown flashing. To enable them once more, see the Leakage Alarm configuration in section 4.4.
E14 △	Leakage current transformer not connected alarm (if the leakage alarm is enabled).

4.3.- AUTO-TEST

The equipment allows a self-test to be made for maintenance of the capacitors, by connecting them individually and measuring connected power and leakage current. To perform the self-test, the unit must be in the SETUP screens ▲ and ▼ must be pressed for a few seconds at the same time. In the AUTO-TEST screen, the ▶ and ◀ keys show the data of each capacitor. To start the process, press and hold down ▶. The load must be stable during the process. To leave SETUP, press ▲ and ▼ for a few seconds together, or press and hold down ● to go to the checking screen. Further information on the AUTO-TEST in manual.

4.4.- SETUP

In SETUP the ▲ and ▼ keys are used to move through the different screens and see the configurable parameters of the equipment.

To edit some parameter, press the ● key to enter edition mode and the parameter to be edited will flash. Then the ▶ or ◀ keys will be used to increase or decrease the value, and the ▲ or ▼ keys to change the editable parameter. Once the screen parameters have been configured, press ● to confirm and leave the edition mode.

P&P (PLUG AND PLAY): To start the process, press and hold down ▶. The P&P automatically adjusts the PHASE, C/K, PROG and STEPS parameters in a step connection process. After the measured cosine (confirmation of the chosen PHASE) and the configuration made. For correct operation the load must be inductive, with cos phi > 0.5 and stable (variation < 10%). If the program is not standard, the P&P starts with ◀ (long). After the P&P, the primary of the TC has to be configured (IP screen) for the equipment to measure the current and the powers correctly. Further information on Plug&Play in manual.

IP: The current of the installed transformer primary is configured bearing in mind that the current secondary is always 5 A. Range of values between 5 and 9999.

COS: Configuration of cosine phi to be reached and its type (inductive ~ or capacitive ⊥). Range of values between 0.70 and 1.00.

PHASE: Phase configuration depending on how the current transformer has been connected. The cosine phi is also shown to check the correct phase, it being understood that in a normal installation, it must be between 0.60 ind and 0.99 cap.

Display	Ph1	Ph2	Ph3	Ph4	Ph5	Ph6
TC connection	L1	L2	L3	L1 (TC inverted)	L2 (TC inverted)	L3 (TC inverted)

C/K: Configuration of the ratio between the current of the first phase and the current transformer. Range of values between 0.02 and 1.00. Table for a network voltage of 400 V.

TC	Power in kvar of the first step at 440 V														
	I	2.5	5	6.25	7.5	10	12.5	15	20	25	30	50	60	75	100
75/5	0.20	0.40	0.60	0.80	0.99										
100/5	0.15	0.30	0.45	0.60	0.75	0.89									
150/5	0.10	0.20	0.30	0.40	0.50	0.60	0.80	0.99							
200/5	0.07	0.15	0.22	0.30	0.37	0.45	0.60	0.75	0.89						
250/5	0.06	0.12	0.18	0.24	0.30	0.36	0.48	0.60	0.72	0.95					
300/5	0.05	0.10	0.15	0.20	0.25	0.30	0.40	0.50	0.60	0.80	0.99				
400/5		0.07	0.11	0.15	0.19	0.22	0.30	0.37	0.45	0.60	0.75	0.89			
500/5		0.06	0.09	0.12	0.15	0.18	0.24	0.30	0.36	0.48	0.60	0.72	0.89	0.95	
600/5		0.05	0.07	0.10	0.12	0.15	0.20	0.25	0.30	0.40	0.50	0.60	0.75	0.80	
800/5			0.06	0.07	0.09	0.11	0.15	0.19	0.22	0.30	0.37	0.45	0.56	0.60	
1000/5				0.04	0.06	0.07	0.09	0.12	0.15	0.18	0.24	0.30	0.36	0.45	0.48
1500/5					0.04	0.05	0.06	0.08	0.10	0.12	0.16	0.20	0.24	0.30	0.32
2000/5						0.04	0.06	0.07	0.09	0.12	0.15	0.18	0.22	0.24	
2500/5							0.05	0.06	0.07	0.10	0.12	0.14	0.18	0.19	
3000/5								0.04	0.05	0.06	0.08	0.10	0.12	0.15	0.16
4000/5									0.04	0.06	0.07	0.09	0.11	0.12	

For network voltages other than 400 V, the result of the table must be multiplied by U_{network} / 400. C/K can be calculated with the following expressions:

Example calculation of C/K: TC ratio = 500/5; 1st capacitor: 60 kvar, 440 Vac.

I_t = Current of the TC primary; I_c = Current of the first capacitor

$$K = \frac{I_t}{5} = \frac{500}{5} = 100; \quad I_c = \frac{Q}{\sqrt{3} \cdot V} = \frac{60000 \cdot 400}{1.73 \cdot 440 \cdot \sqrt{2}} = 71.6 \text{ A c.a.}; \quad C / K = \frac{I_c}{K} = \frac{71.6}{100} = 0.72$$

PROG: This configuration depends on the ratio of kvar between the different steps with respect to the first. For example 10+20+20+20 kvar would be program 1222. If it is not a standard programme, choose OPEn and configure any programme between 1111 and 1999.

STEPS: Configuration of the number of steps of the battery.

DELAY: Configuration of the connection time between steps (seconds). Range of values from 4 to 999 s. The reclosing system time is 5 times the DELAY.

COMM: Baud Rate (9600 - 19200 - 38400), parity (none-odd-even), number of stop bits (1 or 2) and number of peripherals (1-255).

ALARM: alarm enabling (on-off) and the possibility of their triggering the alarm relay (yes-no). With the ▶ and ◀ keys, the different alarms are displayed.

ALARM COS: The cosine limit value and type (inductive ~ or capacitive ⊥) under which the alarm would be triggered (E10) are configured. A minimum value is also configured for the current needed to make the cosine alarm come on.

ALARM THD: The alarm limit values are configured as a % above which the THDU and/or THDI (E07 and E08) would be triggered. A step must be connected for a THD alarm to be triggered.

ALARM ILEAK: The alarm limit value is configured in mA above which the leakage current would be triggered (E09). The option to search for faulty capacitors when E09 (Off-On) has been triggered is also configured. If there are capacitors annulled by this alarm, the reset option appears (yes-no).

ALARM TEMP: Limit value for the temperature alarm (E11) in °C.

On/Off/Auto: The state of the battery capacitors is configured (On: Always connected, Off: always disconnected, and Auto: the regulator decides when to turn it on or off). With the ▶ and ◀ keys, the different capacitors are displayed.

DISPLAY: The luminosity of the backlight is configured as a percentage, as well as its state (On: always alight, Off: always out, Auto: it goes out after 5 minutes if no key is pressed).

Technical service For any inquiry about the regulator operation or in case of malfunction please contact technical service.